

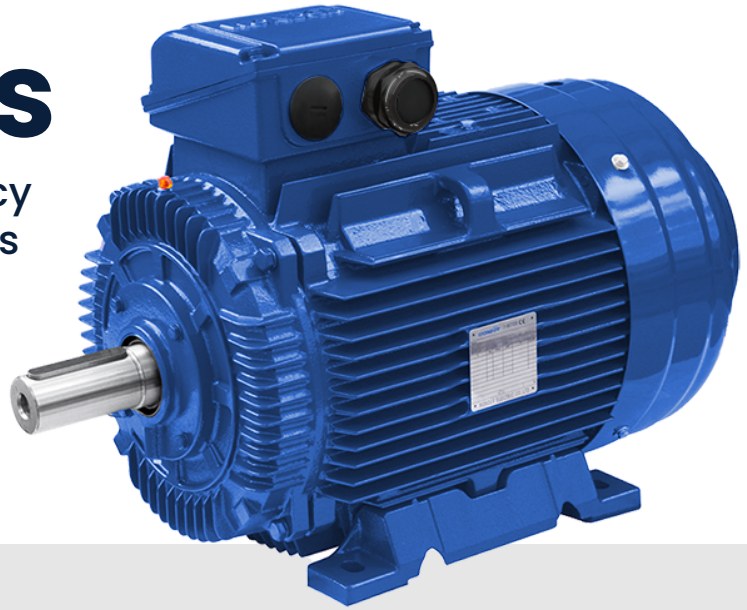
SWE Series

Three Phase Premium Efficiency
Asynchronous Cast Iron Motors

IE3

SWE Series

Three Phase Premium Efficiency
Asynchronous Cast Iron Motors



General Information:

SWE Series three phase asynchronous motors are premium efficiency motors with cast iron housing. The efficiency indicators are in line with IE3.

Wonder three phase asynchronous motors are widely applied in general machinery and industries such as pumps & water treatment, road machinery, petroleum, chemical & metallurgy, cement and paper making.

Technical Characteristics:

- IP55 protection, class F insulation, B-level temperature rise, S1 duty;
- Rated voltage 400V;
- Rated frequency 50Hz;
- Operation ambient temperature: -20°C~40°C;
- Operation altitude ≤1000m.
- Y-connection for motors up to 3kW,
Δ-connection for 4kW and above.
- Cooling method: IC411 / IC416.

Mounting Arrangements:

Types	Basic Type of Construction	Derived Types of Construction				
SWE 160-355	IM B3 IM 1001	IM V5 IM 1011	IM V6 IM 1031	IM B6 IM 1051	IM B7 IM 1061	IM B8 IM 1071
	IM B35 IM 2001	IM V15 IM 2011	IM V36 IM 2031	* IM 2051	* IM 2061	* IM 2071
SWE 160-355	IM B5 IM 3001	IM V1 IM 3011	IM V3 IM 3031			

Basic types of construction may be used in all derived types of construction.

1) "*" means not-defined mounting by IEC 60034-7.

2) for the types of construction IM V6, IM B6, IM B8 inquiry is necessary.

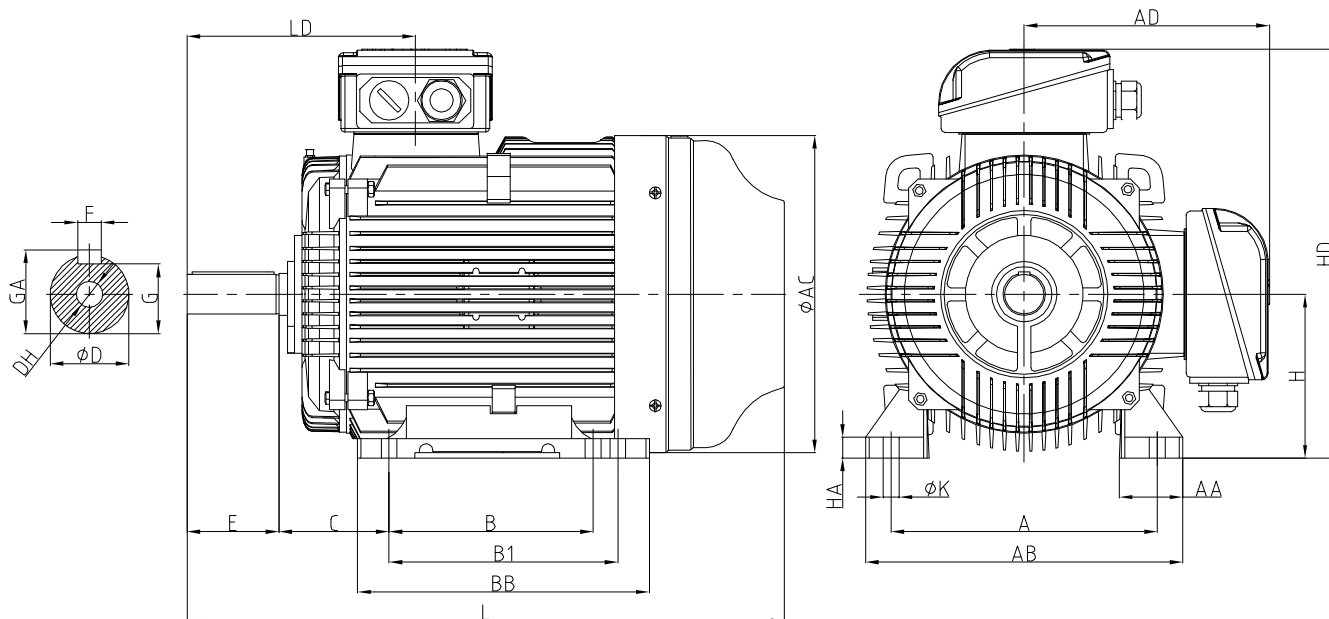
Technical Specifications (1/2)

Rated Output		IEC Frame	Rated Speed r/m	Full Load Current I_n (A)		Efficiency $\eta\%$			Power Factor $\cos\phi$			Locked Rotor Current I_L/I_n	Locked Rotor Torque T_L/T_n	Break-down Torque T_D/T_n	Sound LP dB(A)	Moment of Inertia J(kgm ²)	Weight kg
						% of Full Load											
kW	HP			380V	400V	100	75	50	100	75	50						
3000r/m (2 Pole) 50Hz																	
11	15	160M	2935	20.6	19.6	91.2	91.2	90.2	0.89	0.86	0.79	8.0	2.5	3.0	68	0.054	120
15	20	160M	2935	27.9	26.5	91.9	92.1	91.3	0.89	0.86	0.79	8.0	2.5	3.0	68	0.066	130
18.5	25	160L	2940	34.2	32.5	92.4	92.5	91.8	0.89	0.87	0.81	8.0	2.5	3.0	68	0.083	150
22	30	180M	2950	40.1	38.1	92.7	92.8	92.0	0.90	0.87	0.80	8.2	2.6	3.2	70	0.108	185
30	40	200L	2950	54.3	51.6	93.3	93.3	92.5	0.90	0.87	0.80	7.6	2.3	3.4	73	0.178	245
37	50	200L	2950	66.7	63.3	93.7	93.8	93.1	0.90	0.88	0.81	8.5	2.5	3.0	73	0.22	275
45	60	225M	2965	79.9	75.9	94.0	94.0	93.3	0.91	0.89	0.83	8.5	2.8	3.3	75	0.328	345
55	75	250S/M	2970	99.6	94.6	94.3	93.9	92.6	0.89	0.86	0.79	8.0	2.6	3.2	78	0.451	450
75	100	280S	2975	134	127	94.7	94.6	93.7	0.90	0.88	0.83	7.5	2.2	2.8	79	0.777	540
90	125	280M	2980	160	152	95.0	94.9	94.1	0.90	0.89	0.84	7.5	2.2	2.8	79	0.874	575
110	150	315S	2975	195	185	95.2	94.7	93.3	0.90	0.88	0.82	7.5	2.2	3.2	80	1.861	1010
132	175	315M	2975	234	222	95.4	95.0	93.7	0.90	0.88	0.83	7.5	2.2	3.3	80	2.109	1070
160	215	315M/L	2980	283	268	95.6	95.2	94.1	0.90	0.88	0.83	8.0	2.5	3.2	82	2.419	1210
200	270	315M/L	2980	352	335	95.8	95.4	94.3	0.90	0.88	0.83	8.0	2.5	3.3	82	2.667	1285
250	335	355M/L	2985	436	414	95.8	95.4	94.3	0.91	0.91	0.88	7.5	1.9	2.6	83	4.028	1798
280	375	355M/L	2985	488	464	95.8	95.4	94.2	0.91	0.91	0.87	7.5	1.8	2.6	83	4.01	1885
315	420	355M/L	2985	549	522	95.8	95.5	94.4	0.91	0.91	0.88	7.5	1.8	2.5	83	4.728	1960
1500r/m (4 Pole) 50Hz																	
11	15	160M	1460	21.5	20.4	91.4	91.7	91.1	0.85	0.80	0.69	7.5	2.5	2.7	60	0.105	124
15	20	160L	1460	28.8	27.3	92.1	92.4	91.9	0.86	0.82	0.73	7.8	2.5	2.8	60	0.112	145
18.5	25	180M	1470	35.3	33.5	92.6	93.0	92.6	0.86	0.82	0.73	8.0	2.5	3.0	65	0.166	195
22	30	180L	1470	41.8	39.7	93.0	93.3	92.9	0.86	0.80	0.69	8.3	2.5	3.2	65	0.187	215
30	40	200L	1470	56.0	53.2	93.6	93.8	93.4	0.87	0.87	0.74	8.0	2.4	3.1	68	0.302	265
37	50	225S	1480	68.8	65.4	93.9	94.1	93.6	0.87	0.84	0.76	7.5	2.3	2.9	68	0.538	320
45	60	225M	1480	84.4	80.2	94.2	94.3	93.8	0.86	0.83	0.75	7.8	2.6	3.0	68	0.635	350
55	75	250S/M	1480	102	96.5	94.6	94.7	94.1	0.87	0.84	0.76	7.5	2.3	2.6	69	0.785	457
75	100	280S	1485	139	133	95.0	95.0	94.2	0.86	0.83	0.77	7.2	2.2	2.5	70	1.552	590
90	125	280M	1485	165	157	95.2	95.2	94.6	0.87	0.85	0.78	7.2	2.2	2.5	70	1.865	654
110	150	315S	1485	199	189	95.4	94.9	93.6	0.88	0.86	0.79	7.2	2.3	2.9	74	3.48	1060
132	175	315M	1485	238	226	95.6	95.2	94.1	0.88	0.87	0.83	7.2	2.2	2.8	74	3.678	1120
160	215	315M/L	1485	285	271	95.8	95.6	94.8	0.89	0.87	0.81	7.2	2.2	2.8	74	4.472	1200
200	270	315M/L	1485	356	338	96.0	95.8	94.9	0.89	0.87	0.82	7.0	2.1	2.6	76	4.856	1295
250	335	355M/L	1490	445	422	96.0	95.7	94.7	0.89	0.88	0.84	7.0	2.1	2.3	79	7.364	1820
280	375	355M/L	1490	498	473	96.0	95.7	94.9	0.89	0.89	0.86	6.9	2.1	2.3	80	8.014	1870
315	420	355M/L	1490	560	532	96.0	95.7	94.9	0.89	0.89	0.86	6.9	2.1	2.4	80	9.1	2000

Technical Specifications (2/2)

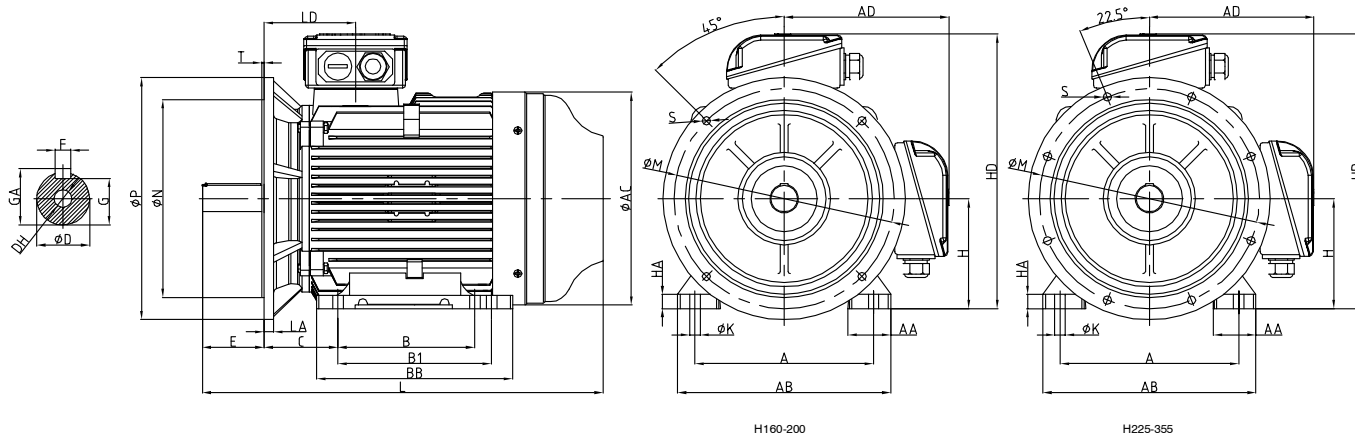
Rated Output		IEC Frame	Rated Speed r/m	Full Load Current I_n (A)		Efficiency $\eta\%$			Power Factor $\cos\phi$			Locked Rotor Current I_L/I_n	Locked Rotor Torque T_L/T_n	Break-down Torque T_b/T_n	Sound LP dB(A)	Moment of Inertia J(kgm ²)	Weight kg
				380V	400V	100	75	50	100	75	50						
1000r/m (6 Pole) 50Hz																	
7.5	10	160M	970	16.6	15.8	89.1	89.5	88.6	0.77	0.70	0.57	7.0	2.5	2.7	56	0.121	115
11	15	160L	970	24.0	22.8	90.3	90.4	89.2	0.77	0.69	0.55	7.0	2.5	2.8	56	0.145	136
15	20	180L	975	31.6	30.1	91.2	91.3	90.1	0.79	0.72	0.60	7.5	2.4	3.0	56	0.229	197
18.5	25	200L	980	38.8	36.9	91.7	91.9	91.0	0.79	0.73	0.60	7.5	2.5	2.9	59	0.342	226
22	30	200L	980	45.3	43.1	92.2	92.3	91.4	0.80	0.72	0.59	7.4	2.5	3.0	59	0.386	246
30	40	225M	980	58.4	55.5	92.9	93.2	92.7	0.84	0.81	0.76	7.0	2.0	2.3	61	0.625	314
37	50	250S/M	980	71.7	68.1	93.3	93.3	92.5	0.84	0.80	0.71	7.3	2.2	2.5	61	0.985	440
45	60	280S	985	85.8	81.6	93.7	93.8	93.1	0.85	0.82	0.74	7.3	2.3	2.7	66	1.733	520
55	75	280M	985	104	99.3	94.1	94.1	93.4	0.85	0.82	0.74	7.5	2.3	2.8	66	1.965	565
75	100	315S	985	143	136	94.6	94.4	93.5	0.84	0.80	0.70	6.7	2.0	2.2	70	3.723	970
90	125	315M	985	172	163	94.9	94.7	93.8	0.84	0.80	0.71	6.7	2.0	2.2	70	4.526	1065
110	150	315M/L	985	207	196	95.1	95.0	94.3	0.85	0.82	0.73	6.8	2.0	2.2	70	5.157	1135
132	175	315M/L	985	250	238	95.4	95.2	94.2	0.84	0.81	0.72	6.8	2.0	2.2	70	5.685	1200
160	215	355M/L	990	299	284	95.6	95.4	94.6	0.85	0.82	0.76	6.8	1.9	2.0	75	9.57	1755
200	270	355M/L	990	373	355	95.8	95.5	94.5	0.85	0.82	0.76	6.8	1.9	2.0	75	11.1	1890
250	335	355M/L	990	466	443	95.8	95.6	94.8	0.85	0.82	0.79	6.8	1.9	2.0	75	11.8	2120
280	375	355M/L	990	522	496	95.8	95.6	94.8	0.85	0.83	0.78	6.8	1.9	2.0	75	12.9	2080
750r/m (8 Pole) 50Hz																	
4	5.5	160M	725	9.86	9.37	85.6	85.2	83.1	0.72	0.66	0.56	6.0	2.1	2.2	53	0.089	103
5.5	7.5	160M	730	13.2	12.5	87.0	87.1	85.2	0.73	0.67	0.56	6.0	2.1	2.2	53	0.099	114
7.5	10	160L	730	17.7	16.8	88.2	88.1	86.3	0.73	0.67	0.56	6.0	2.0	2.2	53	0.102	136
11	15	180L	730	25.6	24.3	89.6	89.3	87.8	0.73	0.68	0.56	6.6	2.0	2.3	53	0.228	193
15	20	200L	735	34.0	32.3	90.6	90.3	89.1	0.74	0.68	0.57	6.6	2.0	2.3	55	0.395	246
18.5	25	225S	735	41.1	39.0	91.2	91.3	89.7	0.75	0.69	0.58	6.6	1.9	2.0	55	0.603	288
22	30	225M	735	48.6	46.2	91.7	91.8	89.8	0.75	0.69	0.58	6.6	1.9	2.0	55	0.698	310
30	40	250S/M	735	64.0	60.8	92.5	92.6	91.1	0.77	0.71	0.60	6.6	1.9	2.0	58	0.983	395
37	50	280S	735	77.5	73.6	93.0	92.8	91.2	0.78	0.72	0.63	6.6	1.9	2.2	58	1.857	515
45	60	280M	735	93.9	89.2	93.4	93.1	91.7	0.78	0.73	0.63	6.6	1.9	2.2	58	1.998	570
55	75	315S	740	112	106	93.8	93.4	92.2	0.80	0.75	0.65	6.6	1.8	2.0	63	4.959	965
75	100	315M	740	151	143	94.3	93.8	92.6	0.80	0.75	0.65	6.6	1.8	2.0	63	5.825	1030
90	125	315M/L	740	179	170	94.6	94.1	92.8	0.81	0.75	0.65	6.6	1.8	2.0	63	6.753	1120
110	150	315M/L	740	218	207	94.9	94.4	93.1	0.81	0.75	0.65	6.4	1.8	2.0	63	7.352	1205
132	175	355M/L	745	257	244	95.1	94.7	93.2	0.82	0.78	0.68	6.4	1.8	2.0	70	12.94	1865
160	215	355M/L	745	311	295	95.4	95.0	93.5	0.82	0.78	0.68	6.4	1.8	2.0	70	13.32	1965
200	270	355M/L	745	387	368	95.6	95.3	93.6	0.82	0.78	0.68	6.4	1.8	2.0	70	14.9	2130

B3 Mounting and Overall Dimensions



Frame Size	Poles	Mounting and Overall Dimensions (mm)																				
		A	B	BI	C	D	E	F	G	H	K	DH	GA	AA	AB	AC	AD	HA	HD	BB	LD	L
160M	2~8	254	210	/	108	42	110	12	37	160	15	M16×36	45	64	315	314	241	20	401	260	256	610
160L	2~8	254	254	/	108	42	110	12	37	160	15	M16×36	45	64	315	314	241	20	401	304	256	654
180M	2.4	279	241	/	121	48	110	14	42.5	180	15	M16×36	51.5	68	351	355	262	22	442	311	271	684
180L	4.6.8	279	279	/	121	48	110	14	42.5	180	15	M16×36	51.5	68	351	355	262	22	442	349	271	722
200L	2~8	318	305	/	133	55	110	16	49	200	19	M20×42	59	75	388	397	344	25	544	369	296	774
225S	4.8	356	286	/	149	60	140	18	53	225	19	M20×42	64	75	430	445	368	29	593	361	329	822
225M	2	356	311	/	149	55	110	16	49	225	19	M20×42	59	75	430	445	368	29	593	386	299	816
	4~8	356	311	/	149	60	140	18	53	225	19	M20×42	64	75	430	445	368	29	593	386	329	847
250M/S	2	406	311	349	168	60	140	18	53	250	24	M20×42	64	80	484	484	374	32	624	445	348	911
	4~8	406	311	349	168	65	140	18	58	250	24	M20×42	69	80	484	484	374	32	624	445	348	911
280S	2	457	368	/	190	65	140	18	58	280	24	M20×42	69	85	542	546	403	35	683	485	357	965
	4~8	457	368	/	190	75	140	20	67.5	280	24	M20×42	79.5	85	542	546	403	35	683	485	357	965
280M	2	457	419	/	190	65	140	18	58	280	24	M20×42	69	85	542	546	403	35	683	536	357	1016
	4~8	457	419	/	190	75	140	20	67.5	280	24	M20×42	79.5	85	542	546	403	35	683	536	357	1016
315S	2	508	406	/	216	65	140	18	58	315	28	M20×46	69	120	628	620	493	45	808	570	397	1201
	4~8	508	406	/	216	80	170	22	71	315	28	M20×46	85	120	628	620	493	45	808	570	427	1231
315M/L	2	508	457	508	216	65	140	18	58	315	28	M20×46	69	120	628	620	493	45	808	680	397	1311
	4~8	508	457	508	216	80	170	22	71	315	28	M20×46	85	120	628	620	493	45	808	680	427	1341
355M	2	610	560	630	254	75	140	20	67.5	355	28	M20×46	79.5	120	726	698	593	52	948	750	425	1501
	4~8	610	560	630	254	95	170	25	86	355	28	M24×56	100	120	726	698	593	52	948	750	455	1531

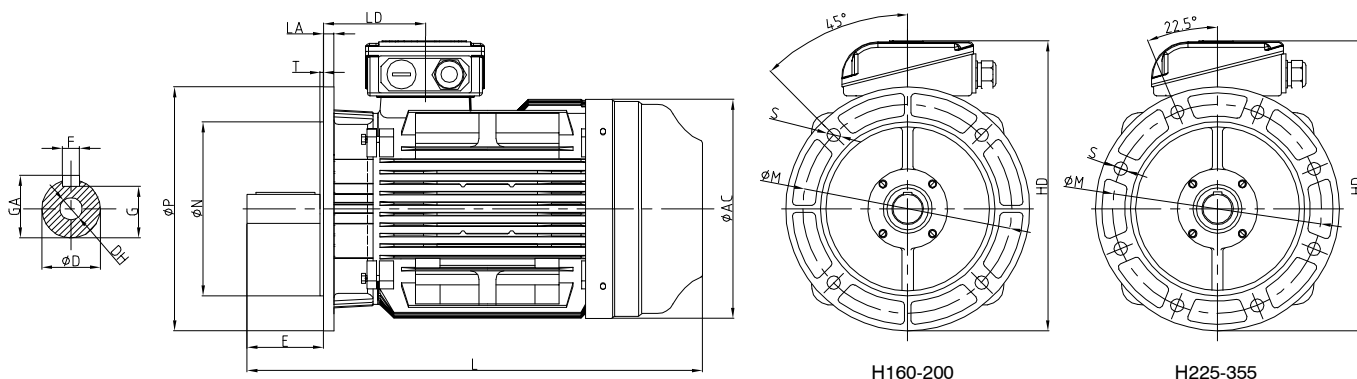
B35 Mounting and Overall Dimensions



Frame Size	Poles	Mounting and Overall Dimensions (mm)																									
		A	B	B1	C	D	E	F	G	H	K	M	N	P	S	T	DH	GA	AA	AB	AC	HA	HD	BB	LD	LA	L
160M	2~8	254	210	/	108	42	110	12	37	160	15	300	250	350	4-Φ19	5	M16×36	45	64	315	314	20	401	260	256	15	610
160L	2~8	254	254	/	108	42	110	12	37	160	15	300	250	350	4-Φ19	5	M16×36	45	64	315	314	20	401	304	256	15	654
180M	2.4	279	241	/	121	48	110	14	42.5	180	15	300	250	350	4-Φ19	5	M16×36	51.5	68	351	355	22	442	311	271	15	684
180L	4.6.8	279	279	/	121	48	110	14	42.5	180	15	300	250	350	4-Φ19	5	M16×36	51.5	68	351	355	22	442	349	271	15	722
200L	2~8	318	305	/	133	55	110	16	49	200	19	350	300	400	4-Φ19	5	M20×42	59	70	388	397	25	544	369	296	17	774
225S	4.8	356	286	/	149	60	140	18	53	225	19	400	350	450	8-Φ19	5	M20×42	64	79	430	445	29	593	361	329	20	822
225M	2	356	311	/	149	55	110	16	49	225	19	400	350	450	8-Φ19	5	M20×42	59	79	430	445	29	593	386	299	20	816
	4~8	356	311	/	149	60	140	18	53	225	19	400	350	450	8-Φ19	5	M20×42	64	79	430	445	29	593	386	329	20	847
250S/M	2	406	311	349	168	60	140	18	53	250	24	500	450	550	8-Φ19	5	M20×42	64	97	484	484	32	624	445	348	22	911
	4~8	406	311	349	168	65	140	18	58	250	24	500	450	550	8-Φ19	5	M20×42	69	97	484	484	32	624	445	348	22	911
280S	2	457	368	/	190	65	140	18	58	280	24	500	450	550	8-Φ19	5	M20×42	69	85	542	546	35	683	485	357	22	965
	4~8	457	368	/	190	75	140	20	67.5	280	24	500	450	550	8-Φ19	5	M20×42	79.5	85	542	546	35	683	485	357	22	965
280M	2	457	419	/	190	65	140	18	58	280	24	500	450	550	8-Φ19	5	M20×42	69	85	542	546	35	683	536	357	22	1016
	4~8	457	419	/	190	75	140	20	67.5	280	24	500	450	550	8-Φ19	5	M20×42	79.5	85	542	546	35	683	536	357	22	1016
315S	2	508	406	/	216	65	140	18	58	315	28	600	550	660	8-Φ24	6	M20×46	69	120	628	620	45	808	570	397	22	1201
	4~8	508	406	/	216	80	170	22	71	315	28	600	550	660	8-Φ24	6	M20×46	85	120	628	620	45	808	570	427	22	1231
315M/L	2	508	457	508	216	65	140	18	58	315	28	600	550	660	8-Φ24	6	M20×46	69	120	628	620	45	808	680	397	22	1311
	4~8	508	457	508	216	80	170	22	71	315	28	600	550	660	8-Φ24	6	M20×46	85	120	628	620	45	808	680	427	22	1341
355M	2	610	560	630	254	75	140	20	67.5	355	28	740	680	800	8-Φ24	6	M20×46	79.5	116	726	698	52	948	750	425	25	1501
	4~8	610	560	630	254	95	170	25	86	355	28	740	680	800	8-Φ24	6	M24×56	100	116	726	698	52	948	750	455	25	1531

R=0 distance from flange to shaft shoulder

B5 Mounting and Overall Dimensions



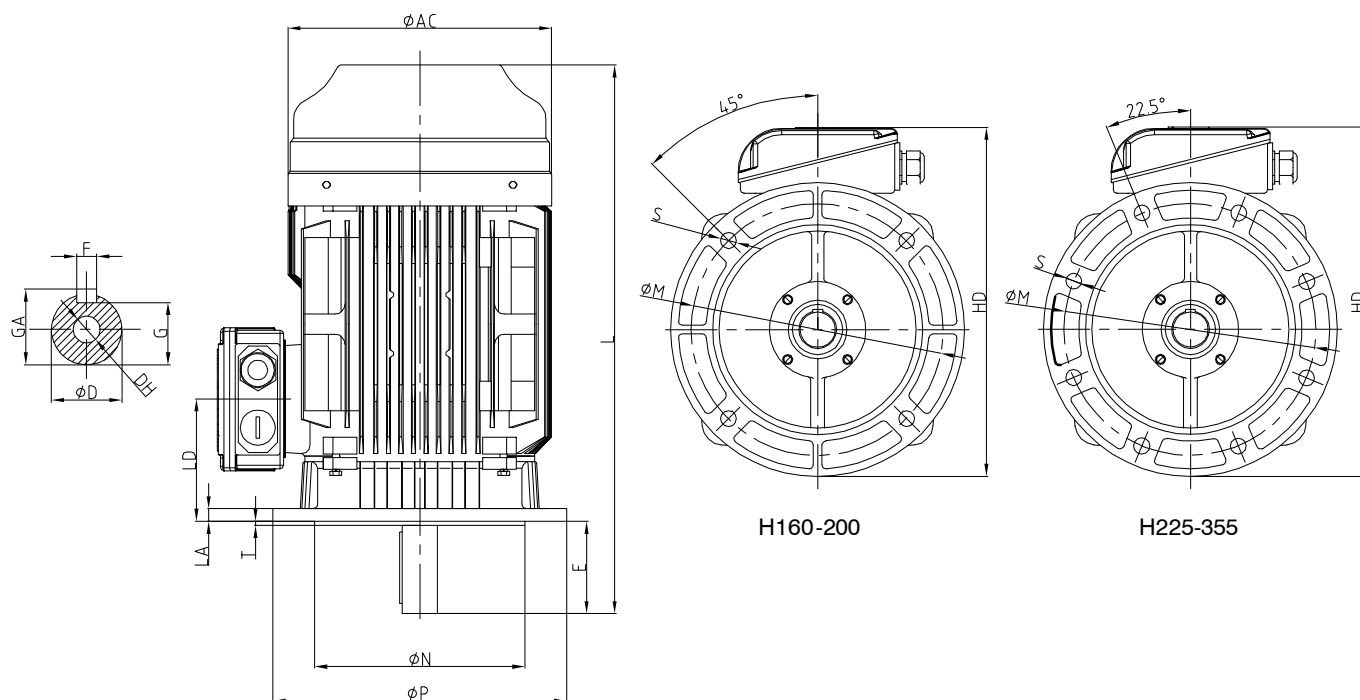
H160-200

H225-355

Frame Size	Poles	Mounting and Overall Dimensions (mm)															
		D	E	F	G	M	N	P	S	T	DH	GA	AC	HD	LA	LD	L
160M	2~8	42	110	12	37	300	250	350	4-Φ19	5	M16×36	45	314	416	15	146	610
160L	2~8	42	110	12	37	300	250	350	4-Φ19	5	M16×36	45	314	416	15	146	654
180M	2.4	48	110	14	42.5	300	250	350	4-Φ19	5	M16×36	51.5	355	437	15	161	684
180L	4,6,8	48	110	14	42.5	300	250	350	4-Φ19	5	M16×36	51.5	355	437	15	161	722
200L	2~8	55	110	16	49	350	300	400	4-Φ19	5	M20×42	59	397	544	17	186	774
225S	4.8	60	140	18	53	400	350	450	8-Φ19	5	M20×42	64	445	593	20	189	822
225M	2	55	110	16	49	400	350	450	8-Φ19	5	M20×42	59	445	593	20	189	816
	4~8	60	140	18	53	400	350	450	8-Φ19	5	M20×42	64	445	593	20	189	847
250S/M	2	60	140	18	53	500	450	550	8-Φ19	5	M20×42	64	484	649	22	208	911
	4~8	65	140	18	58	500	450	550	8-Φ19	5	M20×42	69	484	649	22	208	911
280S	2	65	140	18	58	500	450	550	8-Φ19	5	M20×42	69	546	678	22	217	965
	4~8	75	140	20	67.5	500	450	550	8-Φ19	5	M20×42	79.5	546	678	22	217	965
280M	2	65	140	18	58	500	450	550	8-Φ19	5	M20×42	69	546	678	22	217	1016
	4~8	75	140	20	67.5	500	450	550	8-Φ19	5	M20×42	79.5	546	678	22	217	1016

R=0 distance from flange to shaft shoulder

VI Mounting and Overall Dimensions



H160-200

H225-355

Frame Size	Poles	Mounting and Overall Dimensions (mm)															
		D	E	F	G	M	N	P	S	T	DH	GA	AC	HD	LA	LD	L
160M	2~8	42	110	12	37	300	250	350	4-φ19	5	M16×36	45	314	416	15	146	610
160L	2~8	42	110	12	37	300	250	350	4-φ19	5	M16×36	45	314	416	15	146	654
180M	2.4	48	110	14	42.5	300	250	350	4-φ19	5	M16×36	51.5	355	437	15	161	684
180L	4.6.8	48	110	14	42.5	300	250	350	4-φ19	5	M16×36	51.5	355	437	15	161	722
200L	2~8	55	110	16	49	350	300	400	4-φ19	5	M20×42	59	397	544	17	186	774
225S	4.8	60	140	18	53	400	350	450	8-φ19	5	M20×42	64	445	593	20	189	822
225M	2	55	110	16	49	400	350	450	8-φ19	5	M20×42	59	445	593	20	189	816
	4~8	60	140	18	53	400	350	450	8-φ19	5	M20×42	64	445	593	20	189	847
250S/M	2	60	140	18	53	500	450	550	8-φ19	5	M20×42	64	484	649	22	208	911
	4~8	65	140	18	58	500	450	550	8-φ19	5	M20×42	69	484	649	22	208	911
280S	2	65	140	18	58	500	450	550	8-φ19	5	M20×42	69	546	678	22	217	965
	4~8	75	140	20	67.5	500	450	550	8-φ19	5	M20×42	79.5	546	678	22	217	965
280M	2	65	140	18	58	500	450	550	8-φ19	5	M20×42	69	546	678	22	217	1016
	4~8	75	140	20	67.5	500	450	550	8-φ19	5	M20×42	79.5	546	678	22	217	1016
315S	2	65	140	18	58	600	550	660	8-φ24	6	M20×46	69	620	823	22	257	1201
	4~8	80	170	22	71	600	550	660	8-φ24	6	M20×46	85	620	823	22	257	1231
315M/L	2	65	140	18	58	600	550	660	8-φ24	6	M20×46	69	620	823	22	257	1311
	4~8	80	170	22	71	600	550	660	8-φ24	6	M20×46	85	620	823	22	257	1341
355M	2	75	140	20	67.5	740	680	800	8-φ24	6	M20×46	79.5	698	993	25	285	1501
	4~8	95	170	25	86	740	680	800	8-φ24	6	M24×56	100	698	993	25	285	1531

R=0 distance from flange to shaft shoulder

Terminal Box

Frame Size	Thread of Cable Gland (mm)	Overall Dimensions (mm)
160-180	2-M32×1.5	170×180×77
200-225	2-M50×1.5	226×240×139
250-280	2-M63×1.5	235×250×124.4
315	2-M63×1.5	300×320×153.5
355	2-M72×1.5	350×380×192.5

Bearings

Frame Size	Driving End		Non-driving End	
	2 pole	4,6,8 pole	2 pole	4,6,8 pole
160	6209 2Z/C3	6209 2Z/C3	6209 2Z/C3	6209 2Z/C3
180	6211/C3	6311/C3	6211/C3	6211/C3
200	6212/C3	6312/C3	6212/C3	6212/C3
225	6312/C3	6313/C3	6312/C3	6312/C3
250	6313/C3	6314/C3	6313/C3	6313/C3
280	6314/C3	6317/C3	6314/C3	6314/C3
315	6317/C3	Nu319	6317C3/7317B(V1)	6319C3/7319B(V1)
355	6319/C3	Nu322	6319C3/7319B(V1)	6322/7322B(V1)

**The motors above can be loaded directly.
In case of high radial force, NU bearings are recommended.**



Fuzhou Wonder Electric Co., Ltd.

Add: No. 120, Changyang Road, Fuzhou Development Zone, Fujian, China

Website: www.wonderfz.com

Email: wonder@wonderfz.com

Tel: +86-591-83998899

Fax: +86-591-83998666

Wonder Electric Co., Ltd.

Add: No. 239, Xingda Road, Fuan Electrical Machinery and Appliances Zone, Fujian, China

Website: www.wonder-cn.com

Email: wonder@dayu-casting.com

Tel: +86-593-6379666 6379988

Fax: +86-593-6379999

Wonder Electric Motor (M) Sdn. Bhd.

Add: No.11, Jalan Meranti Jaya 16, Taman Meranti Jaya Industrial Park, 47120 Puchong, Selangor, Malaysia

Email: sales@wonderelectric.com.my

Tel: +603-8063-9399

Fax: +603-8060-8399

Wonder Electric Motor (S) Pte. Ltd.

Add: No. 111, Neythal Road, Singapore, 628598

Email: wondersg@singnet.com.sg

Tel: +65-6265-8698

Fax: +65-6265-6589